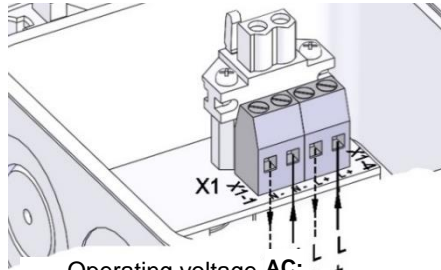


**PY L-S with single color LED**

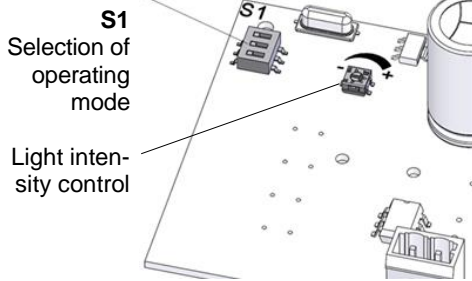
**Electrical connection**

Circuit board in lower part:



Operating voltage AC: + +  
connection DC: + +

Circuit board in lens:



**S1**  
Selection of operating mode  
  
Light intensity control

**Setting the operating modes**

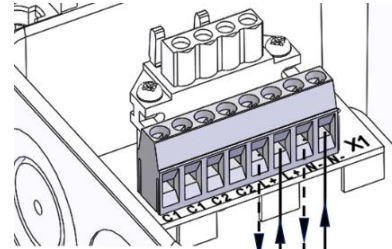
S1			Operating mode
1	2	3	
OFF	OFF	OFF	Flashing light t 1 Hz *
OFF	OFF	ON	Flashing light 0.75 Hz
OFF	ON	OFF	Continuous light
OFF	ON	ON	Blinking light 1 Hz
ON	OFF	OFF	Flashing light 2 Hz
ON	OFF	ON	Blinking light 2 Hz
ON	ON	OFF	Flashing light 0.1 Hz
ON	ON	ON	Flashing light 0.5 Hz
OFF	OFF	ON	Double Flash Mode (DFM3) see original operating instructions

\* Factory setting

**PY L-S with multicolor LED**

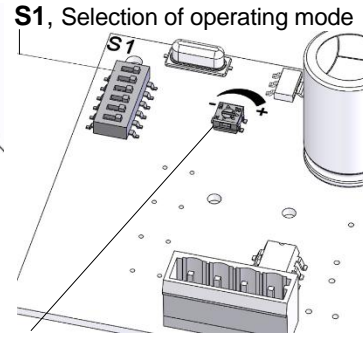
**Electrical connection**

Circuit board in lower part:



Operating voltage AC: L L N N  
connection DC: + + - -

Circuit board in lens:



Light intensity control

**Setting the operating modes**

S1			Operating mode	S1			Color assignment
1	2	3		4	5	6	
OFF	OFF	OFF	Flashing light 1 Hz *	OFF	OFF	OFF	Red *
OFF	OFF	ON	Flashing light 0.75 Hz		OFF	ON	Blue
OFF	ON	OFF	Continuous light		ON	OFF	Green
OFF	ON	ON	Blinking light 1 Hz		ON	ON	Yellow
ON	OFF	OFF	Flashing light 2 Hz				
ON	OFF	ON	Blinking light 2 Hz				
ON	ON	OFF	Flashing light 0.1 Hz				
ON	ON	ON	Flashing light 0.5 Hz				
OFF	OFF	ON	Double Flash Mode (DFM3) see original operating instructions				

\* Factory setting

**External Control**

S1				Operating mode			
1	2	3	4	C1/ C2 not activated			
OFF	OFF	OFF	ON	Standby	Blinking light 1 Hz	Continuous light	Continuous light
OFF	OFF	ON		Standby	Continuous light	Continuous light	Continuous light
OFF	ON	OFF		Standby	Blinking light 1 Hz	Continuous light	Blinking light 1 Hz
OFF	ON	ON		Standby	Flashing light 1 Hz	Continuous light	Continuous light
ON	OFF	OFF		Standby	Flashing light 1 Hz	Continuous light	Blinking light 1 Hz
ON	OFF	ON		Standby	Flashing light 1 Hz	Continuous light	Flashing light 1 Hz
ON	ON	OFF		Standby	Blinking light 1 Hz	Blinking light 1 Hz	Blinking light 1 Hz
ON	ON	ON		Standby	Flashing light 1 Hz	Flashing light 1 Hz	Flashing light 1 Hz
Option DFM				Standby	DFM1	DFM2	DFM3

S1			Color assignment			
4	5	6	C1/ C2 not activated			
ON	OFF	OFF	Standby	Red	Green	Blue
	OFF	ON	Standby	Red	Green	Yellow
	ON	OFF	Standby	Red	Green	White
	ON	ON	Standby	Red	Green	Red

# PYRA-S MULTIFUNCTIONAL LED-LIGHT

## Brief Technical Information (RGB; internal Control)

### Mode - Selection

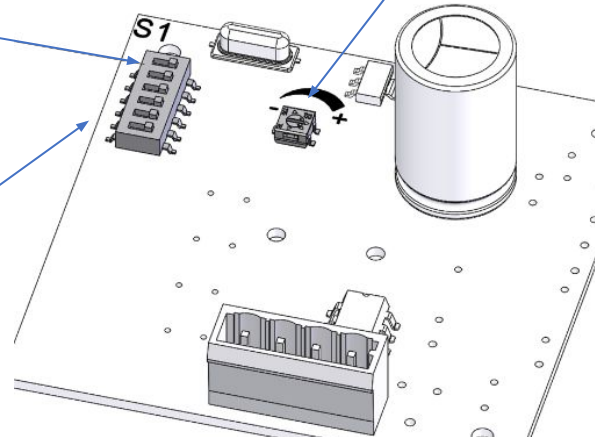
S1			Operating mode
1	2	3	
OFF	OFF	OFF	Flashing light 1 Hz *
OFF	OFF	ON	Flashing light 0.75 Hz
OFF	ON	OFF	Continuous light
OFF	ON	ON	Blinking light 1 Hz
ON	OFF	OFF	Flashing light 2 Hz
ON	OFF	ON	Blinking light 2 Hz
ON	ON	OFF	Flashing light 0.1 Hz
ON	ON	ON	Flashing light 0.5 Hz
OFF	OFF	ON	Double Flash mode (DFM) see <a href="#">Option</a>

### Color - Selection

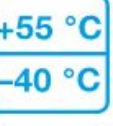
S1			Color assignment
4	5	6	
OFF	OFF	OFF	Red *
	OFF	ON	Blue
	ON	OFF	Green
	ON	ON	Yellow

### Control of Light intensity

Flashlight (Strobe) 10 – 100%  
 Blink- / Continuous: 45 – 100%

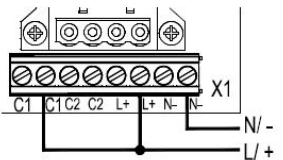
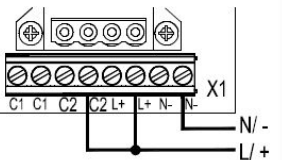
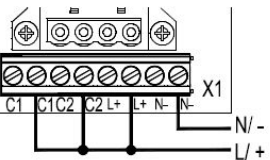


(more to find in the datasheet / manual)



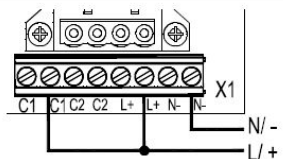
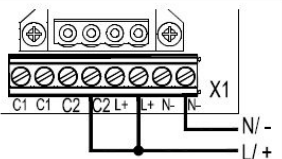
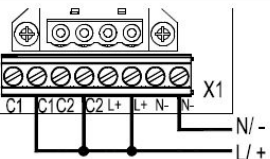
# PYRA-S MULTIFUNCTIONAL LED-LIGHT

## Brief Technical Information (RGB; with external Control)

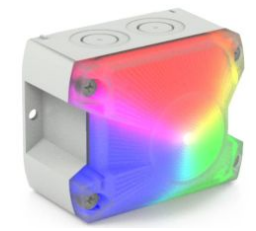
S1				Operating mode			
1	2	3	4	C1/ C2 not activated			
OFF	OFF	OFF	ON	Standby	Blinking light 1 Hz	Continuous light	Continuous light
OFF	OFF	ON		Standby	Continuous light	Continuous light	Continuous light
OFF	ON	OFF		Standby	Blinking light 1 Hz	Continuous light	Blinking light 1 Hz
OFF	ON	ON		Standby	Flashing light 1 Hz	Continuous light	Continuous light
ON	OFF	OFF		Standby	Flashing light 1 Hz	Continuous light	Blinking light 1 Hz
ON	OFF	ON		Standby	Flashing light 1 Hz	Continuous light	Flashing light 1 Hz
ON	ON	OFF		Standby	Blinking light 1 Hz	Blinking light 1 Hz	Blinking light 1 Hz
ON	ON	ON		Standby	Flashing light 1 Hz	Flashing light 1 Hz	Flashing light 1 Hz
<i>Option DFM</i>				Standby	<i>DFM1</i>	<i>DFM2</i>	<i>DFM3</i>
OFF	OFF	ON					

### Mode - Selection

Results in:  
 Power Supply => Standby  
 PS + C1 => Red; Flash  
 PS + C2 => Green; Cont.  
 PS + C1+C2 => Blue; Blinking

S1			Color assignment			
4	5	6	C1/ C2 not activated			
ON	OFF	OFF	Standby	Red	Green	Blue
	OFF	ON	Standby	Red	Green	Yellow
	ON	OFF	Standby	Red	Green	White
	ON	ON	Standby	Red	Green	Red

### Color - Selection



(more to find in the datasheet / manual)

