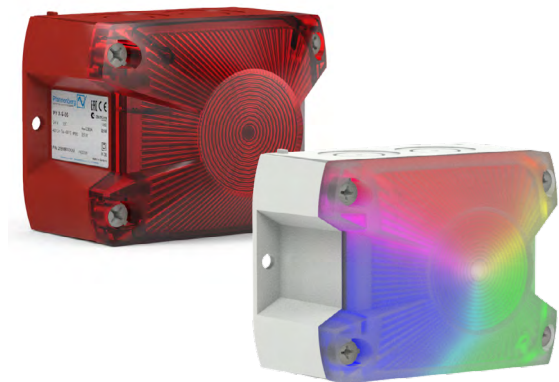


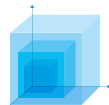
# PYRA® COMPACT MULTIFUNCTIONAL LED LIGHT PY L-S / PY L-S RGB




Most flexible, ultra bright RGB multi colour or single colour LED technology

- Selectable signaling modes: continuous-, blinking- and flashing-light
- Selectable Colour (RGB version only) PYRA® LED RGB permits to choose the colour you require. Stay flexible and keep your stock to a minimum!
- External colour & mode control (RGB version only) with PYRA® LED RGB you can state several situations with only one light. Change colour and mode easily by remote control!
- Selectable blink & flash frequencies - Adaptable to all your applications - select the frequency your gadget requires and boost the perceptibility.
- Multi-voltage-power supply - Plug and play PYRA® LED adapts to most machines and applications no matter the voltage!
- Panel mount installation - Flat, smart, discrete, clean and 360° visible - fully integrable into the design of your machine and equipment!

|  |  |   |  |  |   |   |   |   |
|--|--|---|--|--|---|---|---|---|
| <br>multi colour LED (option) | <br>protection system | <br>impact-proof housing | <br>operating temperature<br>+55 °C<br>-40 °C | <br>brightness adjustable | <br>warranty |  | <br>UL approval (pending) | <br>connector (option) |
|--|--|---|--|--|---|---|---|---|

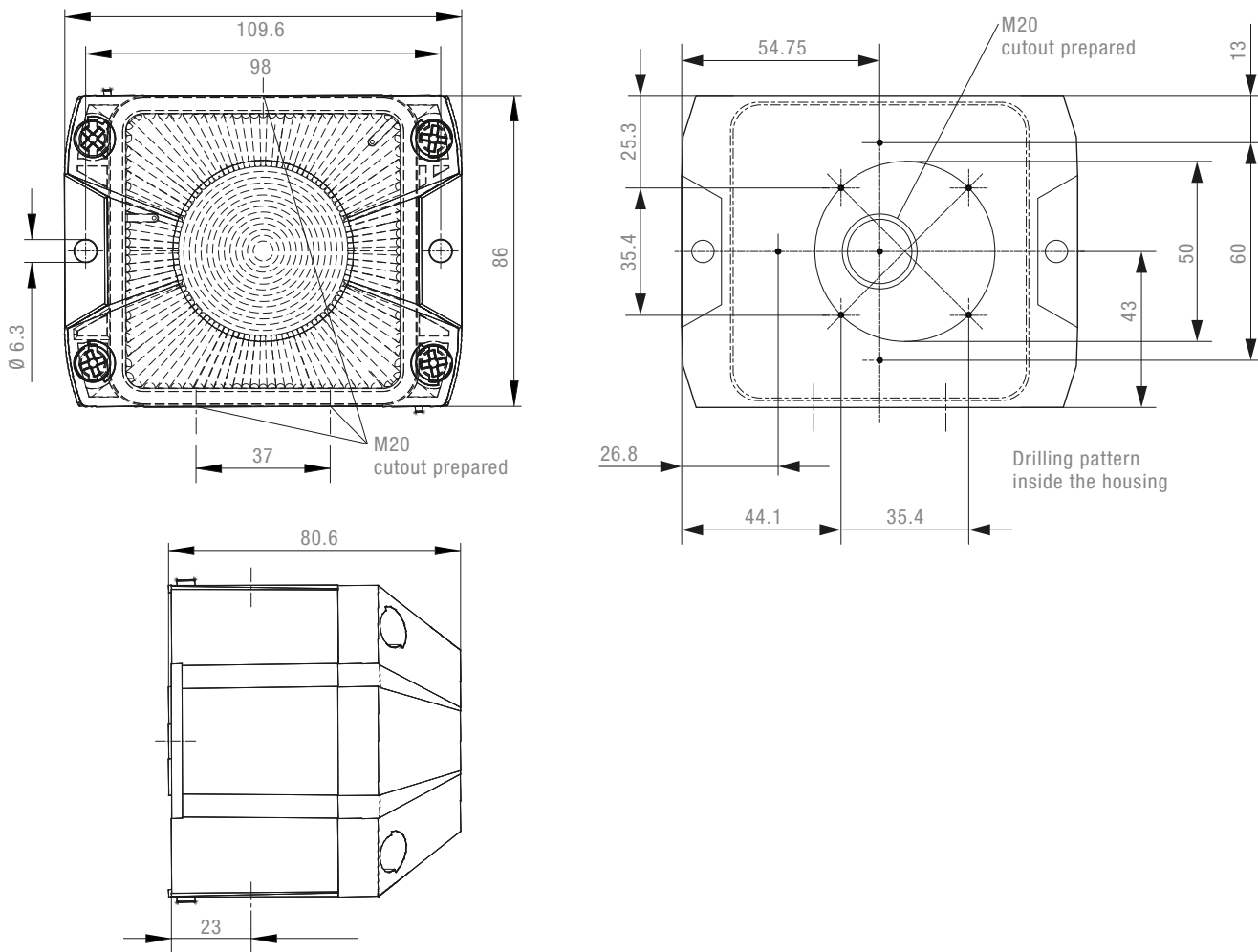
| 3D-COVERAGE PERFORMANCE DATA  | PY L-S                         | PY L-S RGB       |
|---|--------------------------------|------------------|
|  | Indicate<br>35.1 x 14.9 x 14.2 | 17.1 x 14 x 13.5 |
|   | Warn<br>15.6 x 6.6 x 6.4       | 7.6 x 6.2 x 6    |
|   | Alarm<br>7.8 x 3.3 x 3.2       | 3.8 x 3.1 x 3    |

To determine the exact signalling area for your needs, please use the online available Pfannenberg Sizing Software PSS.

| PRODUCT  | PY L-S / PY L-S RGB   |                  |                       |                  |
|--|---|------------------|-----------------------|------------------|
| <b>DATA</b>  |   |                  |                       |                  |
| Rated voltage  | 115/230 V<br>AC 50   60 Hz / DC   | 120 V DC         | 24 V AC<br>50 / 60 Hz | 12-48 V DC<br>-  |
| Operating range  | 95-253 V  | 108-132 V        | 21.6-26.4 V           | 11-60 V          |
| Current consumption (@ 1 Hz flash)                       | 36 mA @ 230 V AC  | 75 mA @ 120 V DC | 167 mA @ 24 V AC      | 120 mA @ 24 V DC |
| Operating mode internally and externally selectable (DC) | continuous light / blinking light / flashing light  |                  |                       |                  |
| Light alternation frequency                              | Blinking light 1 Hz / 2 Hz   Flashing light 0.1 Hz / 0.5 Hz / 0.75 Hz / 1 Hz / 2 Hz   |                  |                       |                  |
| Light source   | one high output LED   |                  |                       |                  |
| Light intensity (DIN 5037) <sup>1</sup>                  | 76 cd (reducible)   |                  |                       |                  |
| Max. viewing distance                                    | 202 m   |                  |                       |                  |
| Operating temperature                                    | -40 °C ... +55 °C   |                  |                       |                  |
| Storage temperature                                      | -40 °C ... +70 °C   |                  |                       |                  |
| Installation position                                    | any   |                  |                       |                  |
| Degree of protection                                     | IP 66 (EN 60529), NEMA TYPE 4&4x, IK 08 (EN 50102)  |                  |                       |                  |
| Service life of the light source                         | ≥50,000 hrs   |                  |                       |                  |
| Material   | lens:  ( - RGB). Polycarbonate (PC)<br>housing: PC / ABS blend |                  |                       |                  |
| Cable entry  | 4 x M20 pre-embossed  |                  |                       |                  |
| Connecting terminal                                      | 0.14 - 2.5 mm <sup>2</sup> fine stranded  |                  |                       |                  |
| Weight   | 265 g   |                  |                       |                  |

<sup>1</sup> with a clear lens

**DIMENSIONS**



| ARTICLE NO.    |                     | PY L-S / PY L-S RGB      |             |
|----------------|---------------------|--------------------------|-------------|
| HOUSING COLOUR | LIGHT / LENS COLOUR | 115 / 230 V AC; 120 V DC | 12-48 V DC  |
| ●              | ● / ●               | 21513648055              | 21513818055 |
| ●              | ●                   | 21513643055              | 21513813055 |
| ●              | ●                   | 21513644055              | 21513814055 |
| ●              | ●                   | 21513645055              | 21513815055 |
| ●              | ●                   | 21513646055              | 21513816055 |

Article numbers for other colours and voltages on request.

| OPTIONS / ACCESORIES                      |             |
|---|-------------|
| Sealing plug, 4-pack                      | 28300000002 |
| Spare locking bolt, 4-pack                | 28912000000 |
| Surface seal                              | 28300000004 |
| Control panel installation kit PY L-S     | 28112000042 |
| Control panel installation kit PY L-S RGB | 28112000043 |

Version with M12 connection on request

**CONFORMITY TO STANDARDS**

The visual characteristics of flashing lights conform to the European standard DIN EN 842; “Machine safety – visual alarm signals”. Requirements contained in the DIN EN 981 standard; “Machine safety – system of acoustic and visual alarm and information signals”, can be fulfilled. The colours “red” for the emergency signal and “yellow” for the warning signal conform to the requirements of IEC 73 / DIN EN 60073 / VDE 0199; “Coding of display devices and control elements using colours and supplementary means”.  
References to visual alarm devices can be found in the following standards:  
EN 60825-1 Radiation safety of laser devices, identical to IEC 825 and DIN-VDE 0837  
DIN EN 54 Fire alarm systems  
DIN 54113-2 Radiation protection regulations for the technical operation of X-ray equipment up to 500 kV